



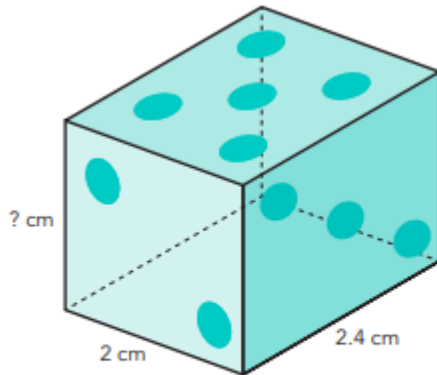
Objective: REVIEW

Day 3

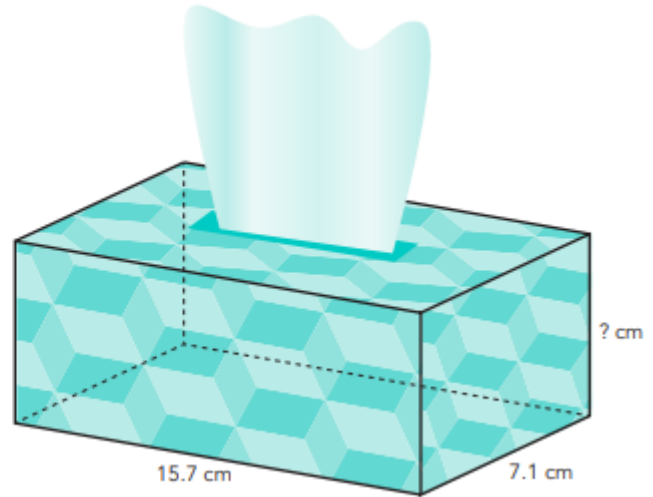
VII. Using Volume of Right Prisms

A. Given the volume, determine the unknown measure.

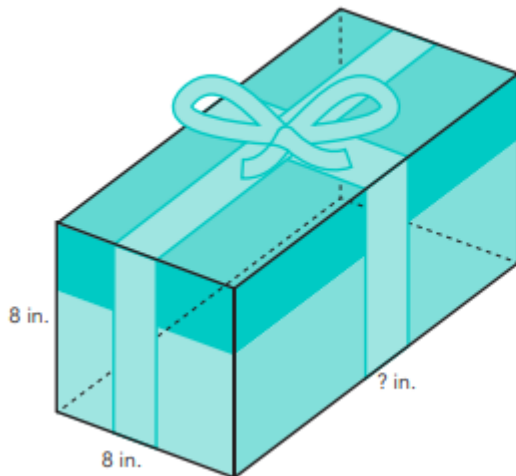
1. Volume 5 10.08 cubic centimeters



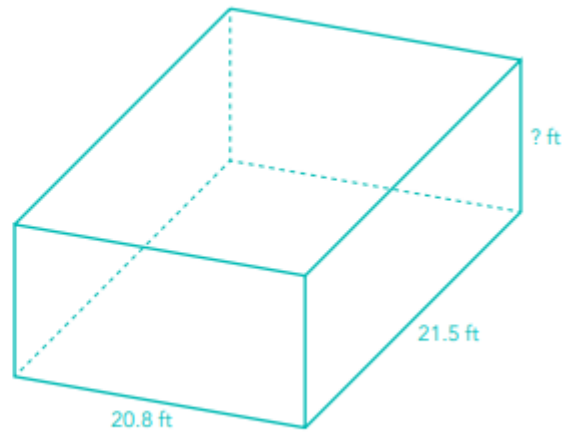
2. Volume 5 869.466 cubic centimeters



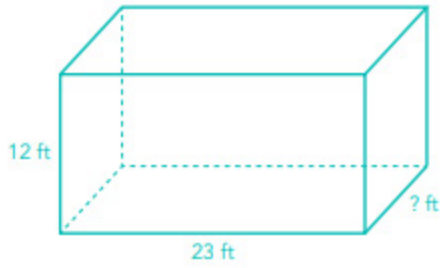
3. Volume = 1011.2 cubic inches



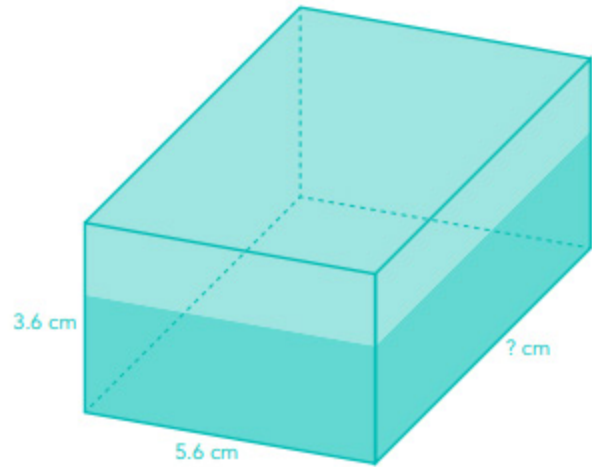
4. Volume = 6708 cubic feet



5. Volume = 3312 cubic feet

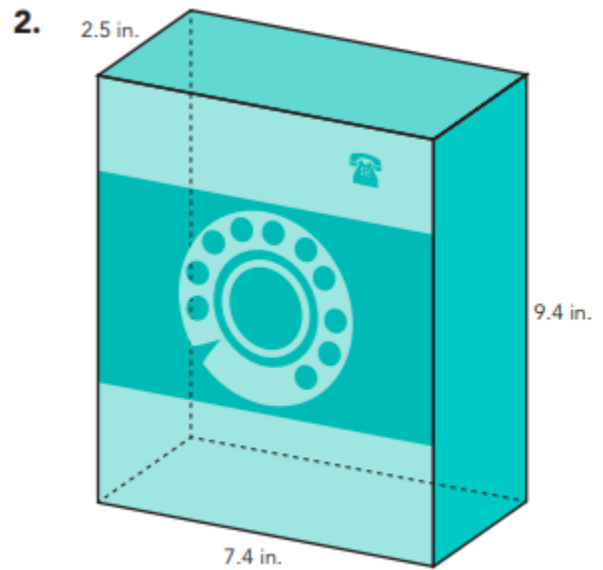
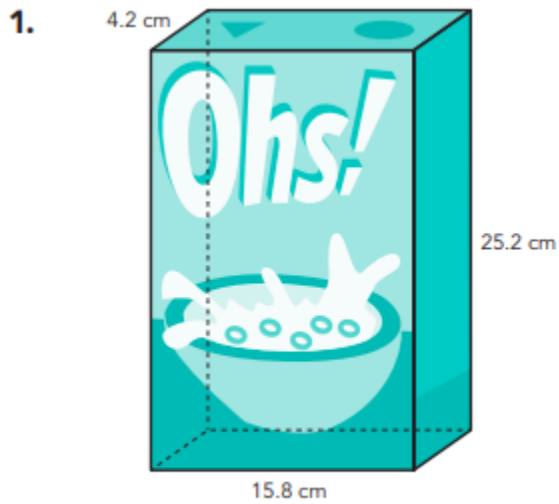


6. Volume = 268.128 cubic centimeters

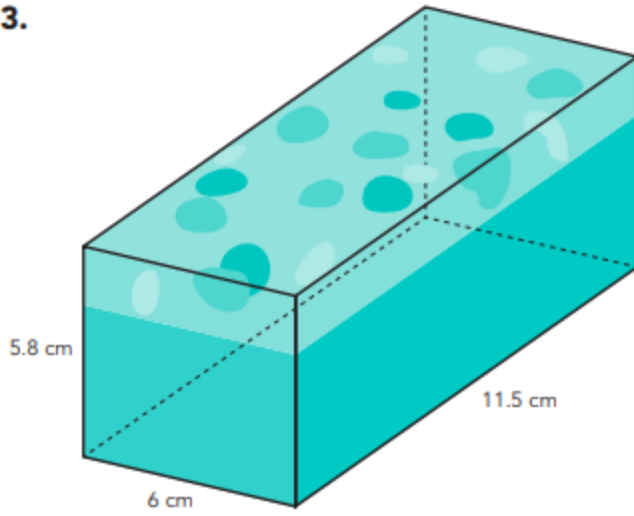


VIII. Calculating Surface Area of Right Prisms

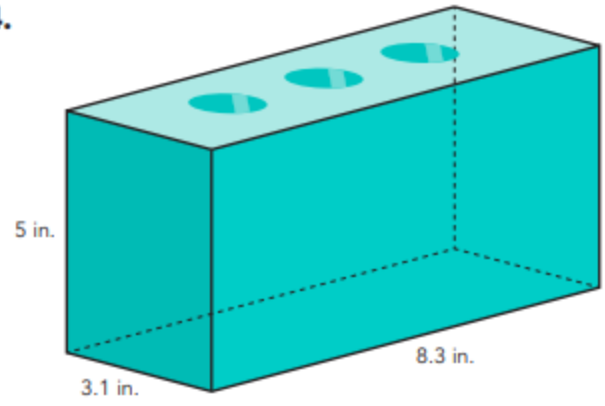
A. Determine the surface area of each right rectangular prism.



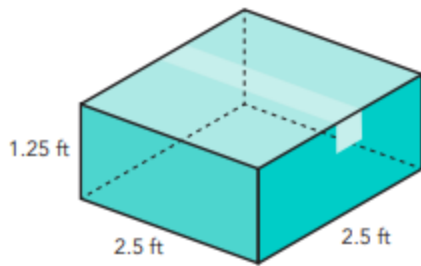
3.



4.



5.



6.

